

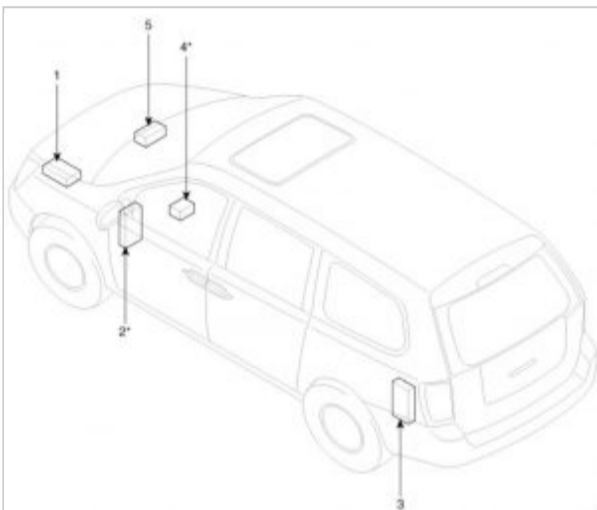
[KIA Carnival VQ \(2010 – 2014\) – fuse box diagram](#)

Posted on 11 July 2018 by admin

KIA Carnival VQ (2010 – 2014) – fuse box diagram

Year of production: 2010, 2011, 2012, 2013, 2014

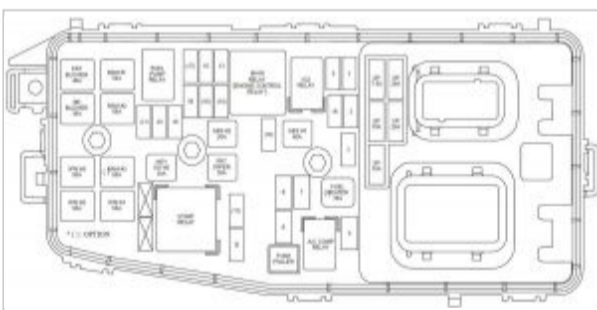
Location



KIA Carnival – fuse box diagram – location

1. Engine compartment
2. Driver's side panel
3. Rear cargo area panel
4. ICM relay box
5. Diesel box


Engine compartment fuse box



KIA Carnival – fuse box diagram – engine compartment

No.	Fuse	A	Circuit Protected
	FUEL HEATER	30	Fuel Filter Heater Relay (D4HB)
	ABS 1	40	ABS Control Module, ESP Control Module
	ABS 2	20	ABS Control Module, ESP Control Module
	FRT WIPER	30	Front Wiper On Relay
	KEY SW 2	30	Start Relay, Ignition Switch

Languages

 English ▼

Brands

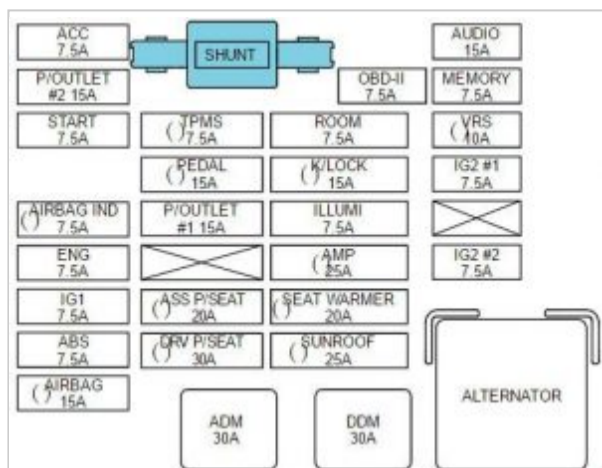
- [Abarth\(7\)](#)▶
- [Acura\(97\)](#)▶
- [Aixam\(1\)](#)▶
- [Alfa Romeo\(28\)](#)▶
- [AMC\(6\)](#)▶
- [Ariel\(1\)](#)▶
- [Aston Martin\(2\)](#)▶
- [Audi\(65\)](#)▶
- [BMW\(39\)](#)▶
- [Bobcat\(9\)](#)▶
- [Buick\(101\)](#)▶
- [Cadillac\(102\)](#)▶
- [Caterham\(1\)](#)▶
- [Chery\(4\)](#)▶
- [Chevrolet\(286\)](#)▶
- [Chevy\(2\)](#)▶
- [Chrysler\(81\)](#)▶
- [Citroen\(42\)](#)▶
- [Dacia\(12\)](#)▶
- [Daewoo\(10\)](#)▶
- [DAF\(1\)](#)▶
- [Daihatsu\(4\)](#)▶
- [Datsun\(3\)](#)▶
- [Dodge\(147\)](#)▶
- [Eagle\(15\)](#)▶
- [Ferrari\(8\)](#)▶
- [Fiat\(59\)](#)▶
- [Ford\(341\)](#)▶
- [Freightliner\(1\)](#)▶
- [G-WIZ\(1\)](#)▶
- [Genesis\(1\)](#)▶
- [Geo\(4\)](#)▶
- [Georgie Boy\(1\)](#)▶
- [GMC\(86\)](#)▶
- [Haval\(1\)](#)▶
- [Honda\(128\)](#)▶
- [HUMMER\(13\)](#)▶
- [Hyundai\(131\)](#)▶
- [IKCO\(2\)](#)▶
- [Infiniti\(37\)](#)▶
- [IRAN Khodro\(4\)](#)▶
- [Isuzu\(41\)](#)▶
- [Iveco\(9\)](#)▶
- [Jaguar\(3\)](#)▶
- [Jayco\(3\)](#)▶
- [JCB\(3\)](#)▶
- [Jeep\(59\)](#)▶
- [Kia\(125\)](#)▶
- [Komatsu\(6\)](#)▶
- [Kubota\(17\)](#)▶
- [Lada\(3\)](#)▶
- [Lancia\(18\)](#)▶

RAM 1		50	Rear Area Module (Fuse: RR P/OTLT-RH 15A, Fuel Door 15A, RR P/WIN-LH 25A, RR P/WIN-RH 25A, Luggage 7.5A)
RAM 2		50	Rear Area Module (Fuse: RR DEFOG 25A, RR D/LOCK 20A, P/Quarter 10A, Power Tail Gate 30A, RR Wiper 15A)
RAM 3		50	Rear Area Module (Fuse: PSD-LH 30A, PSD-RH 30A)
IPM 1		50	Instrument Panel Module (Fuse: DDM 30A, ILLUMI 7.5A, Seat Warmer 20A, OBD-II 7.5A, Sunroof 25A)
FRT BLOWER		40	Front Blower Relay
RR BLOWER		30	Rear Blower Relay
IPM 3		50	Instrument Panel Module (Fuse: AMP 25A, Room 7.5A, DRV P/Seat 30A, ASS P/Seat 20A, Audio 15A, Memory 7.5A)
IPM 2		50	Instrument Panel Module (Fuse: P/Outlet 1 15A, Pedal 15A, ADM 30A)
1	FRT/RR WASHER	10	Front Washer Motor Relay, Rear Washer Motor Relay
3	IG2	7.5	–
4	B/A HORN	10	Burglar Horn Relay
5	STOP LAMP	20	Stop Lamp Switch, Stop Signal Relay
6	FUEL HEATER	20	Fuel Filter Heater (J3)
7	KEY SW 1	25	Ignition Switch
8	STOP SIGNAL	7.5	ABS Control Module, ESP Control Module, PCM (GSL), ECM (DSL), TCM (J3)
9	A/C COMP	7.5	A/C COMP Relay
10	ATM	15	ATM Relay (J3/G6EA), TCM (D4HB), P/N Relay (G6DC)
11	FRT DEICER	15	Front Deicer Relay
12	HORN	15	Horn Relay
13	ECU 1	10	A/C COMP Relay, PCM (GSL), Mass Air Flow Sensor (G6EA), Stop Lamp Switch (D4HB/J3), Immobilizer Module, ECM (J3), Cooling Box (G6EA), Diesel Box (D4HB), Crankshaft Position Sensor (D4HB)

- [Land Rover\(24\)▶](#)
- [Lexus\(80\)▶](#)
- [Lifan\(4\)▶](#)
- [Lincoln\(47\)▶](#)
- [Lotus\(2\)▶](#)
- [LTI\(1\)▶](#)
- [Maruti Suzuki\(30\)▶](#)
- [Mazda\(112\)▶](#)
- [Mercedes-Benz\(88\)▶](#)
- [Mercury\(51\)▶](#)
- [MG\(6\)▶](#)
- [MINI\(1\)](#)
- [Mitsubishi\(20\)▶](#)
- [New Holland\(1\)▶](#)
- [Nissan\(28\)▶](#)
- [Oldsmobile\(65\)▶](#)
- [Opel\(46\)▶](#)
- [Peugeot\(157\)▶](#)
- [Plymouth\(6\)▶](#)
- [Pontiac\(89\)▶](#)
- [Porsche\(11\)▶](#)
- [RAM\(36\)▶](#)
- [Range Rover\(2\)▶](#)
- [Renault\(52\)▶](#)
- [Rover\(3\)▶](#)
- [Saab\(35\)▶](#)
- [Saturn\(18\)▶](#)
- [Scion\(12\)▶](#)
- [Seat\(62\)▶](#)
- [Skoda\(71\)▶](#)
- [Smart\(18\)▶](#)
- [SsangYong\(2\)▶](#)
- [Subaru\(75\)▶](#)
- [Suzuki\(17\)▶](#)
- [TATA\(13\)▶](#)
- [Tesla\(4\)▶](#)
- [Toyota\(244\)▶](#)
- [TVR\(2\)▶](#)
- [Vauxhall\(49\)▶](#)
- [Victory\(53\)▶](#)
- [Volkswagen\(70\)▶](#)
- [Volvo\(193\)▶](#)
- [Western Star\(1\)](#)
- [Wuling\(1\)▶](#)
- [Yuchai\(3\)▶](#)

14	02 DN	10	Oxygen Sensor (GSL), Lambda Sensor (D4HB)
15	ECU 2	15	PCM (GSL), Variable Intake Manifold Valve (GSL), Fuel Pressure Regulator Valve (D4HB), ECM (J3) Cooling Fan Relay (G6DC), Purge Control Solenoid Valve (GSL), Oil Control Valve (GSL), Immobilizer Module (D4HB)
16	02 UP	10	Oxygen Sensor (GSL), Rail Pressure Regulator Valve (D4HB)
17	IGN COIL	20	Ignition Coil #1 – #6 (GSL), Condenser (GSL), ECM (D4HB)
18	INJECTOR	15	Injector #1 – #6 (GSL), PCM (GSL), Inlet Metering Valve (J3), EGR Cooling Bypass Solenoid Valve (D4HB) VGT Control Solenoid Valve (J3), Electrical VGT Actuator (D4HB), Diesel Box (DSL), ECM (J3)
19	P/TRAIN	7.5	Main Relay, PCM (GSL), TCM (J3)
20	BATT SNSR	15	Battery Sensor (D4HB/G6DC)
21	FUEL PUMP	15	Fuel Pump Relay
Relay			
Engine Control Relay			
A/C COMP Relay			
IG 2 Relay			
Fuel Pump Relay			
Start Relay			
Front Deicer Relay			
Horn Relay			
Front Washer Motor Relay			
Rear Washer Motor Relay			
ATM Relay			
Front Wiper On Relay			
Front Wiper LO/HI Relay			

Instrument panel fuse panel

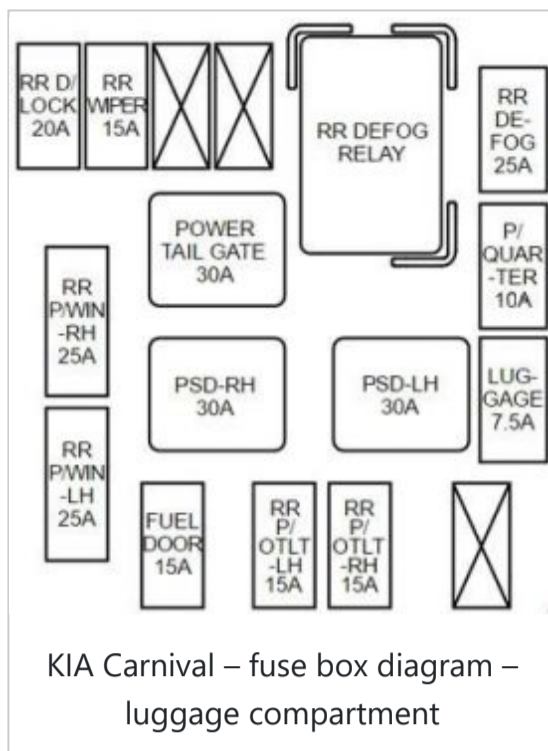


KIA Carnival – fuse box diagram –
instrument panel

Fuse	A	Circuit Protected
DDM	30	Driver Door Module, Safety Power Window Motor
ADM	30	Passenger Door Module
AUDIO	15	Audio, Media Module
MEMORY	7.5	A/C Control Module, Digital Clock (W/O PAB Switch), Instrument Cluster, Trip Computer, Driver/Passenger Door Module Digital Clock & Telltail (With PAB Switch), Front Area Module, Driver Power Seat Module, Power Tail Gate Module Power Sliding Door Module LH/RH
VRS	10	VRS Switch, VRS Module
IG2-1	7.5	Multifunction Switch, A/C Control Module, Electro Chromic Mirror, Rain Sensor, Relay Box, Front Heater Actuator Assembly
IG2-2	7.5	Rear A/C Control Switch, Front Area Module, Power Tail Gate Module, Power Sliding Door Module LH/RH Driver Power Seat Module (With IMS), Driver Door Module, Passenger Door Module
OBD-II	7.5	Data Link Connector, Multipurpose Check Connector
ROOM	7.5	Vanity Lamp LH/RH, Map Lamp, A/C Control Module, Rear Room Lamp Switch, Over Head Console, Electro Chromic Mirror
K/LOCK	7.5	Key interlock solenoid
ILLUMI	7.5	Instrument Panel Module
AMP	25	Amp
SEAT WARMER	20	Seat Warmer Relay
SUNROOF	25	Sunroof Module
TPMS	7.5	Tire pressure monitoring system
PEDAL	15	Adjust Pedal Relay

P/OUTLET 1	15	Cigarette Lighter & Power Outlet
ASS P/SEAT	20	Passenger Power Seat Module
DRV P/SEAT	30	Driver Power Seat Module
ACC	7.5	Power Outside Mirror Switch, Audio, Digital Clock (W/O PAB Switch), Media Module Digital Clock & Telltail (With PAB Switch)
P/OUTLET 2	15	Cigarette Lighter & Power Outlet
START	7.5	Burglar Alarm Relay, Transaxle Range Switch (J3 AAT, G6EA A/T), ECM (J3 A/T), Start Relay (D4HB, J3 MAT, G6EA MAT), P/N Relay (G6DC)
AIRBAG IND	7.5	Instrument Cluster, Digital Clock & Telltail
ENG	7.5	ATM Lever Switch, Stop Lamp Switch (GSL), Input Speed Sensor (J3/G6EA), Output Speed Sensor (J3/G6EA) Glow Relay Module (D4HB), Transaxle Range Switch, PCM (GSL), Vehicle Speed Sensor (J3/G6EA), ECM (DSL), TCM (DSL) Fuel Filter Heater Relay (D4HB), Fuel Filter Warning Sensor (D4HB), Back-Up Lamp Switch (MAT), Clutch Switch (G6EA) Fuel Filter Warning Switch (J3), Mass Air Flow Sensor (J3), Mass Air Flow Sensor (D4HB)
IG1	7.5	Trip Computer, Rheostat, ESP OFF Switch, Rear Parking Assist Buzzer, Instrument Cluster, Alternator Multifunction Switch (Except D4HB), AMB Switch (J3), Audio
ABS	7.5	ABS Control Module, ESP Control Module, Yaw Rate Sensor, Multipurpose Check Connector Steering Angle Sensor (D4HB/G6DC)
AIRBAG	15	SRS Control Module, PAB ON/OFF Switch
BLOWER	10	ECM (D4HB), PCM(G6DC)
Relay		
Burglar Alarm Relay		

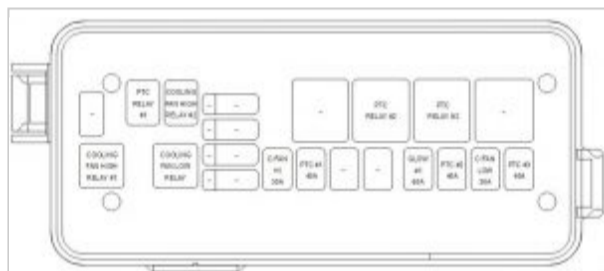
Luggage compartment fuse box



Fuse	A	Circuit Protected
POWER TAIL GATE	30	Power Tail Gate Module
PSD-RH	30	Power Sliding Door Module RH
PSD-LH	30	Power Sliding Door Module LH
RR DEFOG	25	RR Defog Relay, Rear Defogger
P/QUARTER	10	Quarter Glass Open Relay LH, Quarter Glass Close Relay LH, Quarter Glass Open Relay RH Quarter Glass Close Relay RH, Quarter Glass Motor LH, Quarter Glass Motor RH
LUGGAGE	7.5	Luggage Lamp, Power Tail Gate On/Off Switch
RR P/OTLT-RH	15	Rear Power Outlet RH
RR P/OTLT-LH	15	Rear power outlet LH
FUEL DOOR	15	Fuel Filler Relay, Fuel Filler Actuator
RR WIPER	15	Rear Wiper Relay, Rear Wiper Motor
RR D/LOCK	20	S/Door Lock Relay, S/Door Unlock Relay, Sliding Door Lock Actuator, Tail Gate Lock Actuator
RR P/WIN-RH	25	S/Door Window Relay (UP) RH, S/Door Window Relay (DN) RH, Sliding Door Power Window Motor RH
RR P/WIN-LH	25	S/Door Window Relay (UP) LH, S/Door Window Relay (DN) LH, Sliding Door Power Window Motor LH
Relay		
RR Defog Relay		

Quarter Glass Open Relay LH
Quarter Glass Close Relay LH
Quarter Glass Open Relay RH
Quarter Glass Close Relay RH
Rear Wiper Relay
S/Door Lock Relay
S/Door Unlock Relay
Fuel Filler Relay
S/Door Window Relay (UP) LH
S/Door Window Relay (DN) LH
S/Door Window Relay (UP) RH
S/Door Window Relay (DN) RH

Engine compartment fuse box (Diesel 2.2 L – D4HB)

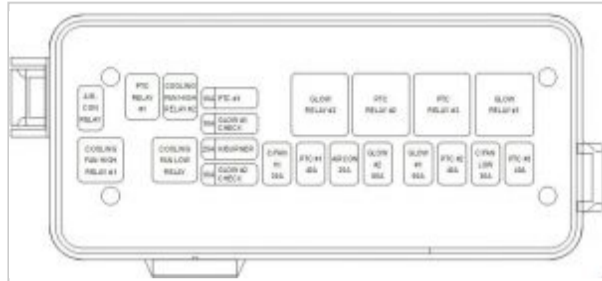


KIA Carnival – fuse box diagram – engine compartment (diesel)

Fuse	A	Circuit Protected
C/FAN HI 1	30	C/FAN HI 1 Relay
PTC 1	40	PTC 1 Relay
GLOW 1	60	Glow Relay Module
PTC 2	40	PTC 2 Relay
C/FAN LOW	30	C/FAN LOW Relay
PTC 3	40	PTC 3 Relay
Relay		
CRD74-1	C/FAN HI 1 Relay	
CRD74-2	C/FANH12 Relay	
CRD75	C/FAN LOW Relay	

CRD71	PTC 1 Relay
CRD72	PTC 2 Relay
CRD73	PTC 3 Relay

Engine compartment fuse box (Diesel 2.9 L)



KIA Carnival – fuse box diagram – engine compartment (diesel)

Fuse	A	Circuit Protected
PTC 1	10	ECM (PTC 1 Relay 'ON' Input)
GLOW 1 CHECK	10	ECM (Glow 1 Relay 'ON' Input)
H/BURNER	20	Heating Burner
C/FAN HI 1	30	C/FAN HI 1 Relay
PTC 1	40	PTC 1 Relay
GLOW 1	60	Glow 1 Relay
PTC 2	40	PTC 2 Relay
C/FAN LOW	30	C/FAN LOW Relay
PTC 3	40	PTC 3 Relay
Relay		
CJD74-1		C/FAN HI 1 Relay
CJD74-2		C/FAN HI2 Relay
CJD75		C/FAN LOW Relay
CJD69		Glow 1 Relay
CJD71		PTC 1 Relay
CJD72		PTC 2 Relay
CJD73		PTC 3 Relay

Engine compartment fuse box (main fuse)

Fuse	A	Circuit Protected
------	---	-------------------

ALT	150 200	Generator
C/FAN	60	Cooling fan

WARNING: Terminal and harness assignments for individual connectors will vary depending on vehicle equipment level, model, and market

☰ [Carnival, Kia](#) ➡ [electricity](#)